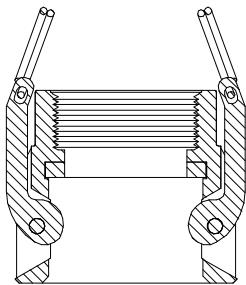
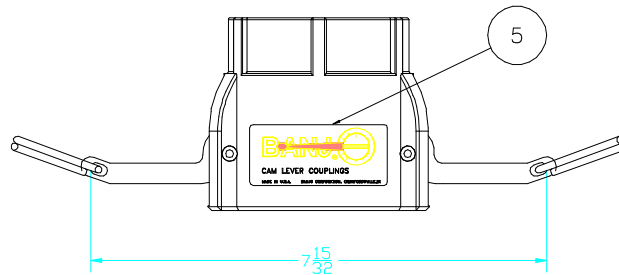
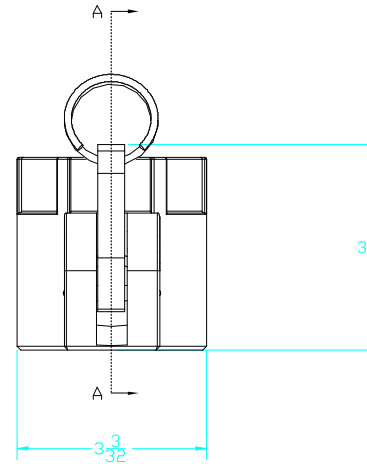
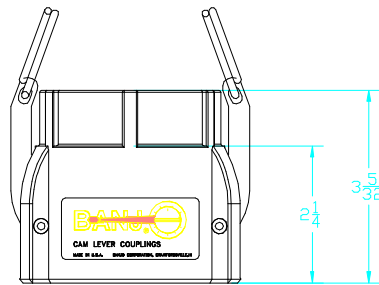


Parts list		
Item	Description	Cn.
1	200XMD	1
2	150200K	2
3	200P	2
4	200G	1
5	150(200)D	1



SECTION A-A



BANJO CORPORATION
150 BANJO DR. * CRAWFORDSVILLE, IN 47933

PART NO. 200D

TITLE
2" Female Coupling x Female Thds

THIS DRAWING AND ALL INFORMATION CONTAINED THEREIN ARE THE EXCLUSIVE PROPERTY OF BANJO CORPORATION. UNLESS SPECIFICALLY NOTED, THIS DRAWING AND ITEMS SHOWN ON THIS DRAWING ARE SUBJECT TO CHANGE AT ANY TIME.